



**QST SYSTEM**



# QST SYSTEM

## The Sound of Silence

QST means Quiet Self Track.

With precise and continuous mesh between belt and pulley, the Megadyne QST System delivers an improved reduction in noise level, versus traditional types of trapezoidal and curvilinear tooth designs.

The key advantages of the QST System are:

- Low noise
- Self-tracking
- Dimensional stability
- High torque capacity
- Longer belt and pulley life



## Belts

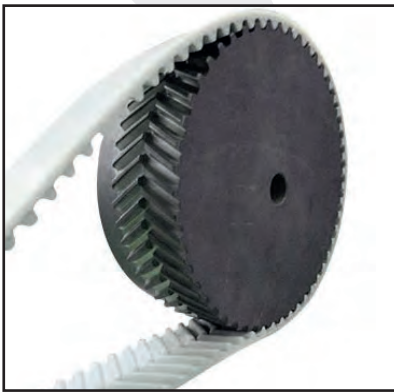
Megalinear QST is manufactured of a thermoplastic polyurethane 92° ShA, with high strength zinc coated steel tension members (S and Z torsion). The teeth are covered as standard with NFT (Nylon Faced Teeth).

Megalinear QST has an excellent resistance to;

- Ageing
- Hydrolysis, UVA
- Ozone
- Most acids and alkalis
- Oils, grease and fat
- 100% Made in Italy

Compatible for fabrication with other thermoplastic materials, Megalinear QST works at a temperature range of between -25°C and + 80°C°.

## Main features:



### LOW NOISE

Megalinear QST provides a solution where current belt applications generate too much noise.

The Helical Offset Tooth design and continuous tooth engagement, allows MEGALINEAR QST to run quieter than any other timing product.

### SELF-TRACKING, NO PULLEY FLANGES REQUIRED

The Megalinear QST design consists of a left and right helix, which guides the belt into the centre of the QST pulley, eliminating any belt wander and ensuring high precision linear positioning.

The self-tracking nature of the Helical Offset Tooth eliminates the need for pulley flanges.

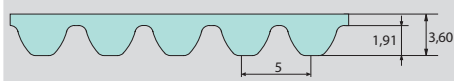
### HIGH TORQUE CAPACITY

Megalinear QST features nylon facing on the Helical Offset Teeth increasing the tensile load capacity, allowing the teeth to deliver more torque.

## Product Range

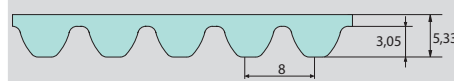
### QST 5

Steel cords



### QST 8

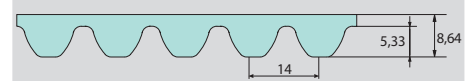
Steel cords



HP cords available

### QST 14

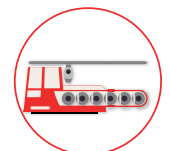
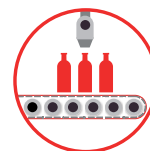
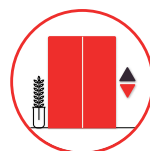
Steel cords



XHP cords available

QST 10 available on request

## Main Applications



# Pulleys

100% Made in Italy, the QST pulleys are produced with innovative equipment and made in a high quality steel for better performance, reduced wear and ensuring a longer life of any transmission system.

The pulleys are treated to resist oxidation and wear.

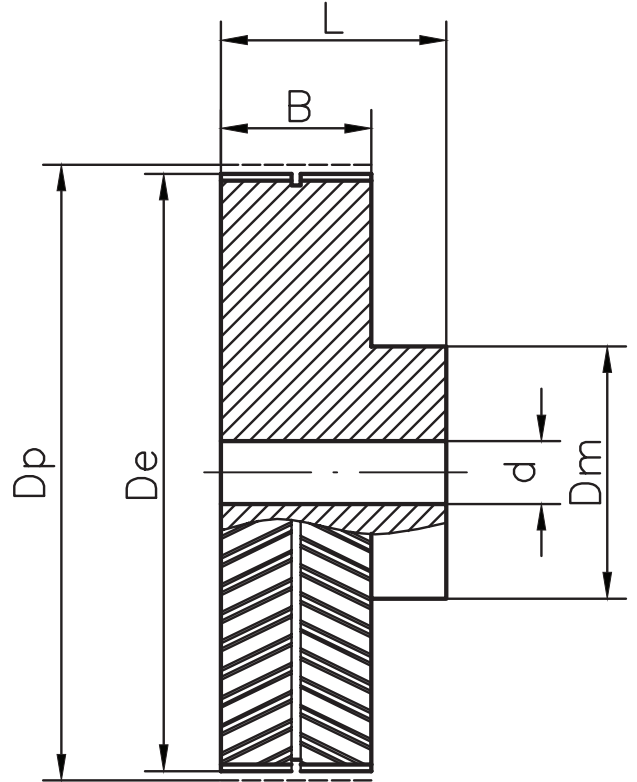
The QST pulleys range includes: QST 5M, QST 8M and QST 14M

(QST 10M is available on request)

Megadyne QST System includes belts, pulleys and clamping plates: discover the wide range and find out the best combination for your application.

## QST 5M 25

N. Of Teeth	Dp (mm)	De (mm)	Dm (mm)	B (mm)	L
16	25,46	24,50	19,0	26,0	32,0
18	28,65	27,69	22,0	26,0	32,0
20	31,83	30,87	25,0	26,0	34,0
21	33,42	32,46	26,0	26,0	34,0
22	35,01	34,05	28,0	26,0	34,0
24	38,20	37,24	32,0	26,0	34,0
26	41,38	40,42	35,0	26,0	34,0
28	44,56	43,60	38,0	26,0	34,0
30	47,75	46,79	41,0	26,0	34,0
32	50,93	49,97	44,0	26,0	34,0
36	57,30	56,34	51,0	26,0	34,0
40	63,66	62,70	57,0	26,0	37,0
44	70,03	69,07	63,0	26,0	37,0
48	76,39	75,43	70,0	26,0	37,0
60	95,49	94,53	89,0	26,0	37,0
72	114,59	113,63	108,0	26,0	37,0



## QST 8M 16

N. Of Teeth	Dp (mm)	De (mm)	Dm (mm)	B (mm)	L
18	45,84	44,46	38,0	17,0	27,0
22	56,02	54,66	46,0	17,0	29,0
24	61,12	59,74	51,0	17,0	33,0
26	66,21	64,84	58,0	17,0	33,0
28	71,30	69,93	62,0	17,0	33,0
30	76,39	75,02	67,0	17,0	33,0
32	81,49	80,12	72,0	17,0	33,0
34	86,58	85,21	77,0	17,0	33,0
36	91,67	90,30	82,0	17,0	33,0
38	96,77	95,39	87,0	17,0	33,0
40	101,86	100,49	92,0	17,0	33,0
44	112,05	110,67	102,0	17,0	33,0
48	122,23	120,86	112,0	17,0	33,0
52	132,42	131,04	123,0	17,0	33,0
60	152,79	151,42	143,0	17,0	33,0

## QST 8M 25

N. Of Teeth	Dp (mm)	De (mm)	Dm (mm)	B (mm)	L
18	45,84	44,46	38,0	26,0	38,0
22	56,02	54,66	46,0	26,0	38,0
24	61,12	59,74	51,0	26,0	42,0
26	66,21	64,84	58,0	26,0	42,0
28	71,30	69,93	62,0	26,0	42,0
30	76,39	75,02	67,0	26,0	42,0
32	81,49	80,12	72,0	26,0	42,0
34	86,58	85,21	77,0	26,0	42,0
36	91,67	90,30	82,0	26,0	42,0
38	96,77	95,39	87,0	26,0	42,0
40	101,86	100,49	92,0	26,0	42,0
44	112,05	110,67	102,0	26,0	42,0
48	122,23	120,86	112,0	26,0	42,0
60	152,79	151,42	143,0	26,0	42,0

# Pulleys

## QST 8M 32

N. Of Teeth	Dp (mm)	De (mm)	Dm (mm)	B (mm)	L
18	45,84	44,46	38,0	33,0	43,0
22	56,02	54,66	46,0	33,0	45,0
24	61,12	59,74	51,0	33,0	49,0
26	66,21	64,84	58,0	33,0	49,0
28	71,30	69,93	62,0	33,0	49,0
30	76,39	75,02	67,0	33,0	49,0
32	81,49	80,12	72,0	33,0	49,0
34	86,58	85,21	77,0	33,0	49,0
36	91,67	90,30	82,0	33,0	49,0
38	96,77	95,39	87,0	33,0	49,0
40	101,86	100,49	92,0	33,0	49,0
44	112,05	110,67	102,0	33,0	49,0
48	122,23	120,86	112,0	33,0	49,0
52	132,42	131,04	123,0	33,0	49,0
60	152,79	151,42	143,0	33,0	49,0

## QST 8M 50

N. Of Teeth	Dp (mm)	De (mm)	Dm (mm)	B (mm)	L
18	45,84	44,46	38,0	51,0	63,0
22	56,02	54,66	46,0	51,0	63,0
24	61,12	59,74	51,0	51,0	67,0
26	66,21	64,84	58,0	51,0	67,0
28	71,30	69,93	62,0	51,0	67,0
30	76,39	75,02	67,0	51,0	67,0
32	81,49	80,12	72,0	51,0	67,0
34	86,58	85,21	77,0	51,0	67,0
36	91,67	90,30	82,0	51,0	67,0
38	96,77	95,39	87,0	51,0	67,0
40	101,86	100,49	92,0	51,0	67,0
44	112,05	110,67	102,0	51,0	67,0
48	122,23	120,86	112,0	51,0	67,0
60	152,79	151,42	143,0	51,0	67,0



## QST 14M 35

N. Of Teeth	Dp (mm)	De (mm)	Dm (mm)	B (mm)	L
32	142,60	139,81	123,0	37,0	53,0
34	151,52	148,72	132,0	37,0	53,0
36	160,43	157,63	141,0	37,0	53,0
38	169,34	166,55	150,0	37,0	53,0
40	178,25	175,46	159,0	37,0	53,0
48	213,90	211,11	195,0	37,0	53,0

## QST 14M 52,5

N. Of Teeth	Dp (mm)	De (mm)	Dm (mm)	B (mm)	L
32	142,60	139,81	126,5	54,5	74,5
34	151,52	148,72	135,5	54,5	74,5
36	160,43	157,63	141,0	54,5	70,5
38	169,34	166,55	150,0	54,5	70,5
40	178,25	175,46	159,0	54,5	70,5
48	213,90	211,11	195,0	54,5	70,5

## QST 14M 70

N. Of Teeth	Dp (mm)	De (mm)	Dm (mm)	B (mm)	L
32	142,60	139,81	126,5	72,0	98,0
34	151,52	148,72	135,5	72,0	98,0
36	160,43	157,63	144,0	72,0	98,0
38	169,34	166,55	153,0	72,0	98,0
40	178,25	175,46	162,0	72,0	98,0
48	213,90	211,11	197,0	72,0	88,0

## QST 14M 105

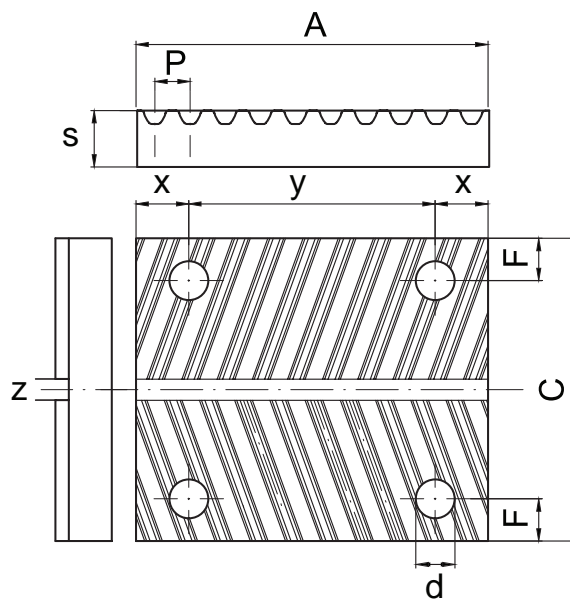
N. Of Teeth	Dp (mm)	De (mm)	Dm (mm)	B (mm)	L
32	142,60	139,81	126,5	107,0	133,0
34	151,52	148,72	135,5	107,0	133,0
36	160,43	157,63	144,0	107,0	133,0
38	169,34	166,55	153,0	107,0	133,0
40	178,25	175,46	162,0	107,0	133,0
48	213,90	211,11	197,0	107,0	123,0

QST 10 pulleys available on request.



# Clamping Plates

The clamping plates are used to fix the tail of the open belts. As the belt can't be stretched with the fixing plates we suggest to use other tension system. The plates are delivered in aluminium alloy. The Megadyne Technical Staff is ready to study special or particular applications.



Clamping plates for QST 5											
Aluminium	Pitch	BELT'S WIDTH (mm)	F	d	A	S	x	y	z	C	
	• QST 5	12		6	5,5	50	8	7,5	35	3	43
		24		6	5,5	50	8	7,5	35	3	43

Clamping plates for QST 8											
Aluminium	Pitch	BELT'S WIDTH (mm)	F	d	A	S	x	y	z	C	
	• QST 8	16		7,5	9	74	14,5	13	48	3	40
		25		8	9	74	14,5	13	48	3	50
		32		8	9	74	14,5	13	48	3	57
		50		8	9	74	14,5	13	48	3	75

Clamping plates for QST 14											
Aluminium	Pitch	BELT'S WIDTH (mm)	F	d	A	S	x	y	z	C	
	• QST 14	35		9,5	11	130	22	23	84	3	65
		52,5		9,5	11	130	22	23	84	3	82,5
		70		9,5	11	130	22	23	84	3	100
		105		10	11	130	22	23	84	3	136

• Available in customized length



QST 10 fixing plates available on request.

**BELARUS**

**Minsk**  
Phone +375 17 2802486  
Info.by@megadynegroup.com

**BRASIL**

**Sorocaba**  
Phone: +1 780 15 2101 7700  
Info.br@megadynegroup.com

**CANADA**

**Edmonton**  
Phone: +1 780 461 4400  
Info.ca@megadynegroup.com

**Montreal**

Phone: +1 514 31 2341  
Info.ca@megadynegroup.com

**Toronto**

Phone: +1 905 602 4400  
Info.ca@megadynegroup.com

**CHINA**

**Beijing**  
Phone +86 10 8150 7478  
info.cn@megadynegroup.com

**Fujian**

Phone +86 595 8816 0309  
info.cn@megadynegroup.com

**Ningbo\***

Phone +86 574 86505008  
info.cn@megadynegroup.com

**Qingdao\***

Phone +86 532-86580951  
info.cn@megadynegroup.com

**Shanghai**

Phone +86 21 5447 1473  
info.cn@megadynegroup.com

**Xi'an**

Phone +86 29 86358108  
info.cn@megadynegroup.com

**COLOMBIA**

**Bogotá**  
Phone: 011 57 669 3604.  
Info.co@megadynegroup.com

**Cartagena**

Phone: 011 57 313 501 5397  
Info.co@megadynegroup.com

**CZECH REPUBLIC**

**Prague**  
Phone +420 2 8481 7181  
Info.cz@megadynegroup.com

**FRANCE**

**Paris**  
Phone +33 1 6079 8200  
info.fr@megadynegroup.com

**St. Jean De Maurienne\***

info.fr@megadynegroup.com

**GERMANY**

**Borchen**  
Phone +49 5251 8735 0  
info.de@megadynegroup.com

**Elchingen\***

info.de@megadynegroup.com

**HUNGARY**

**Budapest**  
Phone +36 23 428 628  
info.hu@megadynegroup.com

**INDIA**

**Chennai\***  
Phone +91 98841 81175  
info.in@megadynegroup.com

**ISRAEL**

**Caesarea**  
Phone +972 4 6371485  
sales@megabelt.co.il

**ITALY**

**Turin\***  
Phone +39 011 926 8052  
info@megadynegroup.com

**Milan\***

Phone +39 039 689 601  
info.it@megadynegroup.com

**Pescara**

Phone +39 085 9700547  
info.it@megadynegroup.com

**Venice**

Phone: +39 041 929 367  
info.it@megadynegroup.com

**MEXICO**

**Mexico C.P.**  
Phone +52 55 5587 3680  
info.mx@megadynegroup.com

**PERU**

**Lim**  
Phone +51 995 866 561  
info.pe@megadynegroup.com

**POLAND**

**Bydgoszcz\***  
Phone +48 52 348 77 12  
info.pl@megadynegroup.com

**SOUTH AFRICA**

**Johannesburg**  
Phone +27 (0)12 661 1652  
info.za@megadynegroup.com

**Cape Town**

Phone +27 (0)21 9820772  
info.za@megadynegroup.com

**SPAIN**

**Barcelona\***  
Phone +34 933 774 441  
www.avetm.com

**Vilanova\***

Phone +34 93 811 5450  
info.es@megadynegroup.com

**SWEDEN**

**Kristianstad**  
Phone +46 10 1309600  
info.se@megadynegroup.com

**THAILAND**

**Bangkok**  
Phone: +66 966 207648  
info.th@megadynegroup.com

**TURKEY**

**Izmir\***  
Phone +90 232 877 07 00  
info.tr@megadynegroup.com

**U.K.**

**Birmingham**  
Phone: +44 1384 215 021  
info.uk@megadynegroup.com

**U.S.A**

**California**  
Phone +1 323 265 8061  
info.us@megadynegroup.com

**Florida**

Phone +1 813 241 4111  
info.us@megadynegroup.com

**Georgia\***

info.us@megadynegroup.com

**Illinois**

Phone: +1630 752 0600  
info.us@megadynegroup.com

**New Jersey Americas HQ**

Phone +1 973 227 4904  
info.us@megadynegroup.com

**New York\***

Phone +1 716 667-7450  
info.us@megadynegroup.com

**North Carolina\***

info.us@megadynegroup.com

**Oregon**

Phone +1 503 231 7224  
info.us@megadynegroup.com

**Texas**

Phone +1 972 438 6992  
info.us@megadynegroup.com

**HEADQUARTERS**

**ITALY Turin**  
Via S. Lucia, 114  
10075 Mathi (Torino)  
Phone +39 011 926 8052  
info@megadynegroup.com

[www.megadynegroup.com](http://www.megadynegroup.com)



\* Manufacturing locations