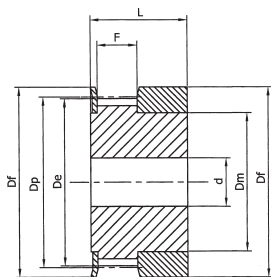


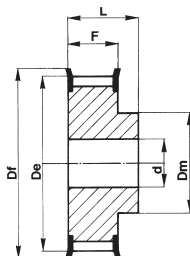
TIMING BELT PULLEYS HTD PROFILE



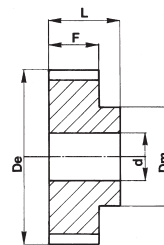
PULEGGE DENTATE PER CINGHIE CON PROFILO HTD TIMING BELT PULLEYS HTD PROFILE



Tipo / Type
1F



Tipo / Type
6F



Tipo / Type
6

HTD Profile 3M-06

Caratteristiche Features Merkmal Características	Descrizione Description Beschreibung Description Descripción	Tipo Type Typ Type Tipo	Codice flangia Flange code Bordscheiben Typ Code flasque Código brida	N. denti N. of teeth / Zähnezahl N. bre de dents Cantidad de dientes	Dp	De	Df	Dm	F	L	Foro stock Stock bore Vor bohrung Alesage en stock Agujero de stock	Peso Weight / Gewicht Poids / Peso Kg
Alluminio / Aluminium / Aluminium / Aluminium / Aluminio 6082 T6 UNI 9006/4	con flangia / with flanges mit Flanges / avec flasques con tapetas	10 3M 06	1F	FL501	10	9,55	8,79	13,0	6,0	7,2	14,5	4
		12 3M 06	1F	FL502	12	11,46	10,70	15,0	8,0	7,2	14,5	4
		14 3M 06	1F	FL503	14	13,37	12,61	16,0	9,5	7,2	14,5	4
		153M 06	1F	FL516	15	14,32	13,56	17,5	10,5	7,2	14,5	4
		16 3M 06	6F	FL504	16	15,28	14,52	17,5	10,0	9,8	17,5	4
		18 3M 06	6F	FL505	18	17,19	16,43	20,0	11,0	9,8	17,5	6
		20 3M 06	6F	FL517	20	19,10	18,34	23,0	13,0	9,8	17,5	6
		21 3M 06	6F	FL518	21	20,05	19,29	25,0	13,0	9,8	17,5	6
		22 3M 06	6F	FL518	22	21,01	20,25	25,0	13,0	9,8	17,5	6
		24 3M 06	6F	FL518	24	22,92	22,16	25,0	13,0	9,8	17,5	6
		26 3M 06	6F	FL508	26	24,83	24,07	28,0	16,0	9,8	17,5	6
		28 3M 06	6F	FL509	28	26,74	25,98	32,0	18,0	9,8	17,5	6
		30 3M 06	6F	FL509	30	28,65	27,89	32,0	20,0	9,8	17,5	6
		32 3M 06	6F	FL510	32	30,56	29,80	36,0	22,0	9,8	17,5	6
		36 3M 06	6F	FL519	36	34,38	33,62	39,0	26,0	10,3	18,0	6
		40 3M 06	6F	FL513	40	38,20	37,44	42,0	28,0	10,3	18,0	6
44 3M 06	6F	FL520	44	42,02	41,26	48,0	33,0	10,3	18,0	6		
senza flangia / without flanges ohne Flanschen / sans flasques sin tapetas		48 3M 06	6	-	48	45,84	45,08	-	33,0	10,3	18,6	8
		60 3M 06	6	-	60	57,30	56,54	-	33,0	10,3	18,6	8
		72 3M 06	6	-	72	68,75	67,99	-	33,0	10,3	18,6	8

PULEGGE DENTATE PER CINGHIE CON PROFILO HTD TIMING BELT PULLEYS HTD PROFILE

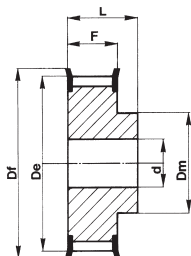
HTD Profile 3M-09

Caratteristiche Features Merkmale Características Características	Descrizione Description Beschreibung Description Descripción	Tipo Type Typ Type Tipo	Codice flangia Flange code Bordscheiben Typ Code flasque Código brida	N. denti N. of teeth / Zahnzahl N. bre de dents Cantidad de dientes	Dp	De	Df	Dm	F	L	Foro stock Stock bore Vor bohrung Alesage en stock Agujero de stock	Peso Weight / Gewicht Poids / Peso Kg			
Alluminio / Aluminium / Aluminium / Aluminium / Aluminio 6082 T6 UNI 9006/4	con flangia / with flanges mit Flanges / avec flasques con tapetas	10 3M 09	1F	FL501	10	9,55	8,79	13,0	6,0	10,2	17,5	4	0,004		
		12 3M 09	1F	FL502	12	11,46	10,70	15,0	8,0	10,2	17,5	4	0,006		
		14 3M 09	1F	FL503	14	13,37	12,61	16,0	9,5	10,2	17,5	4	0,007		
		15 3M 09	1F	FL516	15	14,32	13,56	17,5	10,5	10,2	17,5	4	0,008		
		16 3M 09	6F	FL504	16	15,28	14,52	17,5	10,0	12,8	20,6	4	0,007		
		18 3M 09	6F	FL505	18	17,19	16,43	20,0	10,6	12,8	20,6	6	0,008		
		20 3M 09	6F	FL517	20	19,10	18,34	23,0	12,4	12,8	20,6	6	0,010		
		21 3M 09	6F	FL518	21	20,05	19,29	25,0	13,0	12,8	20,6	6	0,013		
		22 3M 09	6F	FL518	22	21,01	20,25	25,0	13,0	12,8	20,6	6	0,014		
		24 3M 09	6F	FL518	24	22,92	22,16	25,0	13,0	12,8	20,6	6	0,016		
		26 3M 09	6F	FL508	26	24,83	24,07	28,0	16,0	12,8	20,6	6	0,018		
		28 3M 09	6F	FL509	28	26,74	25,98	32,0	18,0	12,8	20,6	6	0,024		
		30 3M 09	6F	FL509	30	28,65	27,89	32,0	20,0	12,8	20,6	6	0,028		
		32 3M 09	6F	FL510	32	30,56	29,80	36,0	22,0	12,8	20,6	6	0,032		
		36 3M 09	6F	FL519	36	34,38	33,62	39,0	26,0	13,4	22,2	6	0,045		
		40 3M 09	6F	FL513	40	38,20	37,44	42,0	28,0	13,4	22,2	6	0,055		
		44 3M 09	6F	FL520	44	42,02	41,26	48,0	33,0	13,4	22,2	6	0,074		
		senza flangia / without flanges / ohne Flanschen sans flasques / sin tapetas													
			48 3M 09	6		48	45,84	45,08	-	33,0	13,4	22,2	8	0,074	
			60 3M 09	6		60	57,30	56,54	-	33,0	13,4	22,2	8	0,106	
	72 3M 09	6		72	68,75	67,99	-	33,0	13,4	22,2	8	0,145			

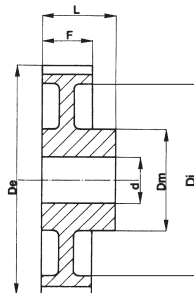
HTD Profile 3M-15

Caratteristiche Features Merkmale Características Características	Descrizione Description Beschreibung Description Descripción	Tipo Type Typ Type Tipo	Codice flangia Flange code Bordscheiben Typ Code flasque Código brida	N. denti N. of teeth / Zahnzahl N. bre de dents Cantidad de dientes	Dp	De	Df	Dm	F	L	Foro stock Stock bore Vor bohrung Alesage en stock Agujero de stock	Peso Weight / Gewicht Poids / Peso Kg			
Alluminio / Aluminium / Aluminium / Aluminium / Aluminio 6082 T6 UNI 9006/4	con flangia / with flanges mit Flanges / avec flasques con tapetas	10 3M 15	1F	FL501	10	9,55	8,79	13,0	6,0	17,0	26,0	4	0,006		
		12 3M 15	1F	FL502	12	11,46	10,70	15,0	8,0	17,0	26,0	4	0,008		
		14 3M 15	1F	FL503	14	13,37	12,61	16,0	9,5	17,0	26,0	4	0,010		
		15 3M 15	1F	FL516	15	14,32	13,56	17,5	10,5	17,0	26,0	4	0,012		
		16 3M 15	6F	FL504	16	15,28	14,52	17,5	10,0	19,5	26,0	4	0,010		
		18 3M 15	6F	FL505	18	17,19	16,43	20,0	10,6	19,5	26,0	6	0,012		
		20 3M 15	6F	FL517	20	19,10	18,34	23,0	12,4	19,5	26,0	6	0,014		
		21 3M 15	6F	FL518	21	20,05	19,29	25,0	13,0	19,5	26,0	6	0,016		
		22 3M 15	6F	FL518	22	21,01	20,25	25,0	13,0	19,5	26,0	6	0,018		
		24 3M 15	6F	FL518	24	22,92	22,16	25,0	13,0	19,5	26,0	6	0,020		
		26 3M 15	6F	FL508	26	24,83	24,07	28,0	16,0	19,5	26,0	6	0,027		
		28 3M 15	6F	FL509	28	26,74	25,98	32,0	18,0	19,5	26,0	6	0,030		
		30 3M 15	6F	FL509	30	28,65	27,89	32,0	20,0	19,5	26,0	6	0,035		
		32 3M 15	6F	FL510	32	30,56	29,80	36,0	22,0	19,5	26,0	6	0,042		
		36 3M 15	6F	FL519	36	34,38	33,62	39,0	26,0	20,0	30,0	6	0,060		
		40 3M 15	6F	FL513	40	38,20	37,44	42,0	28,0	20,0	30,0	6	0,075		
		44 3M 15	6F	FL520	44	42,02	41,26	48,0	33,0	20,0	30,0	6	0,095		
		senza flangia / without flanges / ohne Flanschen sans flasques / sin tapetas													
			48 3M 15	6	-	48	45,84	45,08	-	33,0	20,0	30,0	8	0,103	
			60 3M 15	6	-	60	57,30	56,54	-	33,0	20,0	30,0	8	0,150	
	72 3M 15	6	-	72	68,75	67,99	-	33,0	20,0	30,0	8	0,212			

PULEGGE DENTATE PER CINGHIE CON PROFILO HTD TIMING BELT PULLEYS HTD PROFILE



Tipo / Type
6F



Tipo / Type
6W

HTD Profile 5M-09

Caratteristiche Features Merkmale Características Características	Descrizione Description Beschreibung Description Descripción	Tipo Type Typ Type Tipo	Codice flangia Flange code Bordscheiben Typ Code flasque Código brida	N. denti N. of teeth / Zähnezahl N. bre de dents Cantidad de dientes	Dp	De	Df	Dm	Di	F	L	Foro stock Stock bore Vor bohrung Alesage en stock Agujero de stock	Peso Weight / Gewicht Poids / Peso Kg	
Acciaio / Steel / Stahl Acier / Acero	con flangia / with flanges mit Flanges / avec flasques con tapetas	12 5M 09	6F	FL014	12	19,10	17,96	23,0	12,0	-	14,5	20,0	4	0,028
		14 5M 09	6F	FL002	14	22,28	21,14	25,0	13,0	-	14,5	20,0	6	0,034
		15 5M 09	6F	FL004	15	23,87	22,73	28,0	16,0	-	14,5	20,0	6	0,042
		16 5M 09	6F	FL004	16	25,46	24,32	28,0	16,5	-	14,5	20,0	6	0,050
		18 5M 09	6F	FL006	18	28,65	27,51	32,0	20,0	-	14,5	20,0	6	0,070
		20 5M 09	6F	FL008	20	31,83	30,69	36,0	23,0	-	14,5	22,5	6	0,094
		21 5M 09	6F	FL009	21	33,42	32,28	38,0	24,0	-	14,5	22,5	6	0,110
		22 5M 09	6F	FL015	22	35,01	33,87	39,0	25,5	-	14,5	22,5	6	0,118
		24 5M 09	6F	FL013	24	38,20	37,06	42,0	27,0	-	14,5	22,5	6	0,145
		26 5M 09	6F	FL012	26	41,38	40,24	44,0	30,0	-	14,5	22,5	6	0,170
		28 5M 09	6F	FL011	28	44,56	43,42	48,0	30,5	-	14,5	22,5	6	0,200
		30 5M 09	6F	FL016	30	47,75	46,60	51,0	35,0	-	14,5	22,5	6	0,236
		32 5M 09	6F	FL018	32	50,93	49,79	54,0	38,0	-	14,5	22,5	8	0,210
		36 5M 09	6F	FL021	36	57,30	56,16	60,0	38,0	-	14,5	22,5	8	0,324
40 5M 09	6F	FL025	40	63,66	62,52	71,0	38,0	-	14,5	22,5	8	0,400		
Alluminio / Aluminium Aluminium / Aluminium Aluminio	senza flangia / without flanges / ohne Flanschen sans flasques / sin tapetas	44 5M 09	6W	-	44	70,03	68,89	-	38,0	54	14,5	25,5	8	0,170
		48 5M 09	6W	-	48	76,39	75,25	-	45,0	61	14,5	25,5	8	0,182
		60 5M 09	6W	-	60	95,46	94,35	-	45,0	80	14,5	25,5	8	0,230
		72 5M 09	6W	-	72	114,59	113,45	-	45,0	100	14,5	25,5	8	0,270

PULEGGE DENTATE PER CINGHIE CON PROFILO HTD TIMING BELT PULLEYS HTD PROFILE

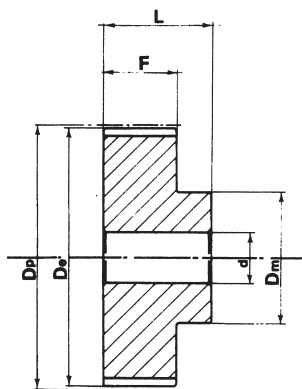
HTD Profile 5M-15

Caratteristiche Features Merkmale Características	Descrizione Description Beschreibung Description Descripción	Tipo Type Typ Type Tipo	Codice flangia Flange code Bordscheiben Typ Code flasque Código brida	N. denti N. of teeth / Zähnezahl N. bre de dents Cantidad de dientes	Dp	De	Df	Dm	Di	F	L	Foro stock Stock bore Vor bohrung Alesage en stock Agujero de stock	Peso Weight / Gewicht Poids / Peso Kg	
Acciaio / Steel / Stahl Acier / Acero	con flangia / with flanges mit Flanges / avec flasques con tapetas	12 5M 15	6F	FL014	12	19,10	17,96	23,0	12,0	-	20,5	26,0	4	0,034
		14 5M 15	6F	FL002	14	22,28	21,14	25,0	13,0	-	20,5	26,0	6	0,046
		15 5M 15	6F	FL004	15	23,87	22,73	28,0	16,0	-	20,5	26,0	6	0,056
		16 5M 15	6F	FL004	16	25,46	24,32	28,0	16,5	-	20,5	26,0	6	0,064
		18 5M 15	6F	FL006	18	28,65	27,51	32,0	20,0	-	20,5	26,0	6	0,086
		20 5M 15	6F	FL008	20	31,83	30,69	36,0	23,0	-	20,5	26,0	6	0,112
		21 5M 15	6F	FL009	21	33,42	32,28	38,0	24,0	-	20,5	26,0	6	0,130
		22 5M 15	6F	FL015	22	35,01	33,87	39,0	25,5	-	20,5	26,0	6	0,140
		24 5M 15	6F	FL013	24	38,20	37,06	42,0	27,0	-	20,5	28,0	6	0,180
		26 5M 15	6F	FL012	26	41,38	40,24	44,0	30,0	-	20,5	28,0	6	0,220
		28 5M 15	6F	FL011	28	44,56	43,42	48,0	30,5	-	20,5	28,0	6	0,250
		30 5M 15	6F	FL016	30	47,75	46,60	51,0	35,0	-	20,5	28,0	6	0,300
		32 5M 15	6F	FL018	32	50,93	49,79	54,0	38,0	-	20,5	28,0	8	0,350
		36 5M 15	6F	FL021	36	57,30	56,16	60,0	38,0	-	20,5	28,0	8	0,426
40 5M 15	6F	FL025	40	63,66	62,52	71,0	38,0	-	20,5	28,0	8	0,520		
Alluminio / Aluminium Aluminium / Aluminium Aluminio	senza flangia / without flanges / ohne Flanschen sans flasques / sin tapetas	44 5M 15	6W	-	44	70,03	68,89	-	38,0	54	20,5	30,0	8	0,225
		48 5M 15	6W	-	48	76,39	75,25	-	45,0	61	20,5	30,0	8	0,187
		60 5M 15	6W	-	60	95,46	94,35	-	45,0	80	20,5	30,0	8	0,305
		72 5M 15	6W	-	72	114,59	113,45	-	45,0	100	20,5	30,0	8	0,305

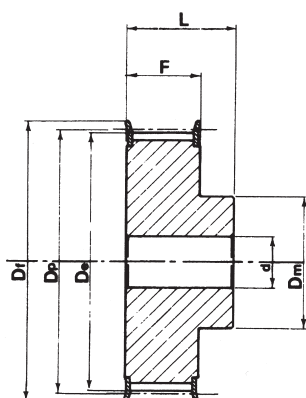
HTD Profile 5M-25

Caratteristiche Features Merkmale Características	Descrizione Description Beschreibung Description Descripción	Tipo Type Typ Type Tipo	Codice flangia Flange code Bordscheiben Typ Code flasque Código brida	N. denti N. of teeth / Zähnezahl N. bre de dents Cantidad de dientes	Dp	De	Df	Dm	Di	F	L	Foro stock Stock bore Vor bohrung Alesage en stock Agujero de stock	Peso Weight / Gewicht Poids / Peso Kg	
Acciaio / Steel / Stahl Acier / Acero	con flangia / with flanges mit Flanges / avec flasques con tapetas	12 5M 25	6F	FL014	12	19,10	17,96	23,0	12,0	-	30,5	36,0	4	0,050
		14 5M 25	6F	FL002	14	22,28	21,14	25,0	13,0	-	30,5	36,0	6	0,070
		15 5M 25	6F	FL004	15	23,87	22,73	28,0	16,0	-	30,5	36,0	6	0,080
		16 5M 25	6F	FL004	16	25,46	24,32	28,0	16,5	-	30,5	36,0	6	0,100
		18 5M 25	6F	FL006	18	28,65	27,51	32,0	20,0	-	30,5	36,0	6	0,120
		20 5M 25	6F	FL008	20	31,83	30,69	36,0	23,0	-	30,5	36,0	6	0,160
		21 5M 25	6F	FL009	21	33,42	32,28	38,0	24,0	-	30,5	38,5	6	0,190
		22 5M 25	6F	FL015	22	35,01	33,87	39,0	25,5	-	30,5	38,5	6	0,210
		24 5M 25	6F	FL013	24	38,20	37,06	42,0	27,0	-	30,5	38,5	6	0,250
		26 5M 25	6F	FL012	26	41,38	40,24	44,0	30,0	-	30,5	38,5	6	0,300
		28 5M 25	6F	FL011	28	44,56	43,42	48,0	30,5	-	30,5	38,5	6	0,350
		30 5M 25	6F	FL016	30	47,75	46,60	51,0	35,0	-	30,5	38,5	6	0,420
		32 5M 25	6F	FL018	32	50,93	49,79	54,0	38,0	-	30,5	38,5	8	0,480
		36 5M 25	6F	FL021	36	57,30	56,16	60,0	38,0	-	30,5	38,5	8	0,590
40 5M 25	6F	FL025	40	63,66	62,52	71,0	38,0	-	30,5	38,5	8	0,740		
Alluminio / Aluminium Aluminium / Aluminium Aluminio	senza flangia / without flanges / ohne Flanschen sans flasques / sin tapetas	44 5M 25	6W	-	44	70,03	68,89	-	38,0	54	30,5	40,5	8	0,320
		48 5M 25	6W	-	48	76,39	75,25	-	45,0	61	30,5	40,5	8	0,275
		60 5M 25	6W	-	60	95,46	94,35	-	45,0	80	30,5	40,5	8	0,435
		72 5M 25	6W	-	72	114,59	113,45	-	45,0	100	30,5	40,5	8	0,525

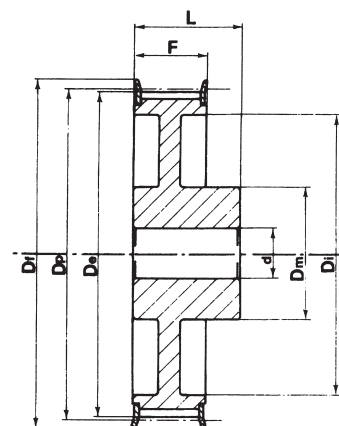
PULEGGE DENTATE PER CINGHIE CON PROFILO HTD TIMING BELT PULLEYS HTD PROFILE



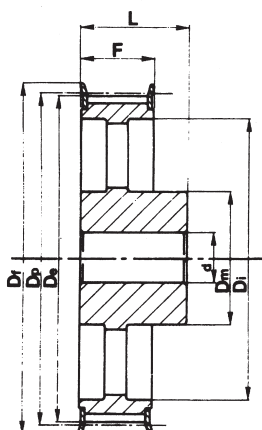
Tipo / Type
6



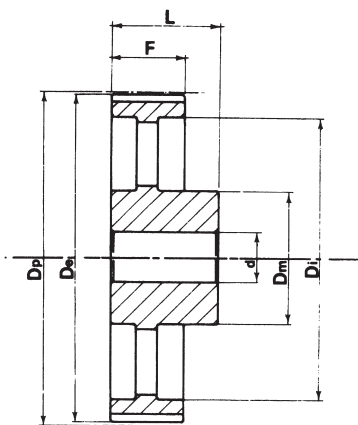
Tipo / Type
6F



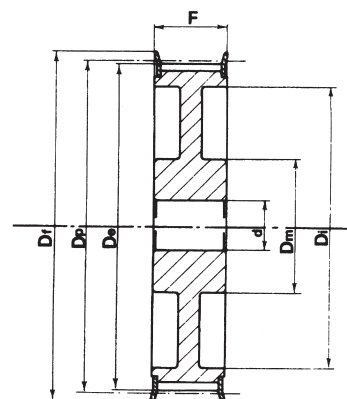
Tipo / Type
6WF



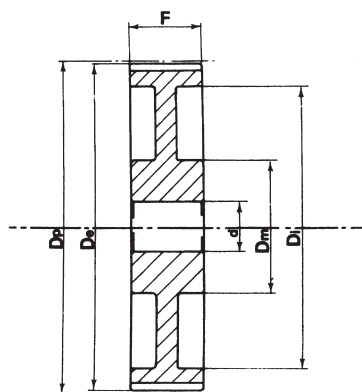
Tipo / Type
6AF



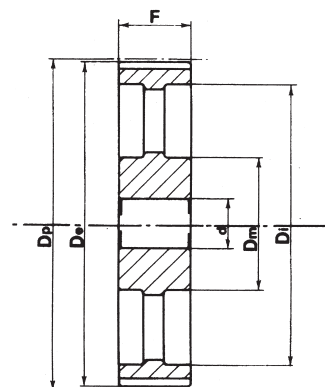
Tipo / Type
6A



Tipo / Type
10WF



Tipo / Type
10W



Tipo / Type
10A

PULEGGE DENTATE PER CINGHIE CON PROFILO HTD TIMING BELT PULLEYS HTD PROFILE

HTD Profile 8M-20

Caratteristiche Features Merkmale Características	Descrizione Description Beschreibung Description Descripción	Tipo Type Typ Type Tipo	Codice flangia Flange code Bordscheiben Typ Code flasque Código brida	N. denti N. of teeth / Zähnezahl N. bre de dents Cantidad de dientes	Dp	De	Df	Dm	Di	F	L	d	Peso Weight / Gewicht Poids / Peso Kg	
Acciaio / Steel / Stahl Acier / Acero	con flangia / with flanges mit Flanges / avec flasques con tapetas	22 8M 20	6F	FL053	22	56,02	54,65	60,0	43,0	-	28	38	12	0,54
		24 8M 20	6F	FL069	24	61,12	59,75	66,0	45,0	-	28	38	12	0,65
		26 8M 20	6F	FL061	26	66,21	64,84	70,0	48,0	-	28	38	12	0,80
		28 8M 20	6F	FL079	28	71,30	69,93	75,0	50,0	-	28	38	15	0,87
		30 8M 20	6F	FL073	30	76,39	75,02	83,0	55,0	-	28	38	15	1,02
		32 8M 20	6F	FL076	32	81,49	80,16	87,0	60,0	-	28	38	15	1,20
		34 8M 20	6F	FL066	34	86,58	85,22	91,0	70,0	-	28	38	15	1,40
		36 8M 20	6F	FL068	36	91,67	90,30	97,0	75,0	-	28	38	15	1,55
		38 8M 20	6F	FL070	38	96,77	95,39	102,0	75,0	-	28	38	15	1,65
		40 8M 20	6F	FL077	40	101,86	100,49	106,0	75,0	-	28	38	15	1,74
		44 8M 20	6F	FL075	44	112,05	110,67	120,0	75,0	-	28	38	15	2,10
		48 8M 20	6F	FL078	48	122,23	120,86	128,0	75,0	-	28	38	15	2,44
		56 8M 20	6WF	FL085	56	142,60	141,23	150,0	80,0	116	28	38	15	2,60
		64 8M 20	6WF	FL090	64	162,97	161,60	168,0	80,0	137	28	38	15	2,90
		72 8M 20	6WF	FL097	72	183,35	181,97	192,0	80,0	158	28	38	15	3,10
Ghisa / Cast iron Grauguss / Fonte Hierro fundido	senza flangia / without flanges / ohne Flanschen sans flasques / sin tapetas	80 8M 20	6W	-	80	203,72	202,35	-	90,0	180	28	38	15	3,80
		90 8M 20	6A	-	90	229,18	227,81	-	90,0	204	28	38	15	4,20
		112 8M 20	6A	-	112	285,21	283,83	-	90,0	254	28	38	18	5,20
		144 8M 20	6A	-	144	366,69	365,32	-	90,0	336	28	38	20	7,50
		168 8M 20	6A	-	168	427,81	426,44	-	100,0	400	28	38	20	10,00
		192 8M 20	6A	-	192	488,92	487,55	-	100,0	460	28	38	20	14,40

HTD Profile 8M 30

Caratteristiche Features Merkmale Características	Descrizione Description Beschreibung Description Descripción	Tipo Type Typ Type Tipo	Codice flangia Flange code Bordscheiben Typ Code flasque Código brida	N. denti N. of teeth / Zähnezahl N. bre de dents Cantidad de dientes	Dp	De	Df	Dm	Di	F	L	d	Peso Weight / Gewicht Poids / Peso Kg	
Acciaio / Steel / Stahl Acier / Acero	con flangia / with flanges mit Flanges / avec flasques con tapetas	22 8M 30	6F	FL053	22	56,02	54,65	60,0	43,0	-	38	48	12	0,69
		24 8M 30	6F	FL069	24	61,12	59,75	66,0	45,0	-	38	48	12	0,84
		26 8M 30	6F	FL061	26	66,21	64,84	70,0	48,0	-	38	48	12	1,00
		28 8M 30	6F	FL079	28	71,30	69,93	75,0	50,0	-	38	48	15	1,12
		30 8M 30	6F	FL073	30	76,39	75,02	83,0	55,0	-	38	48	15	1,32
		32 8M 30	6F	FL076	32	81,49	80,16	87,0	60,0	-	38	48	15	1,53
		34 8M 30	6F	FL066	34	86,58	85,22	91,0	70,0	-	38	48	15	1,80
		36 8M 30	6F	FL068	36	91,67	90,30	97,0	75,0	-	38	48	15	1,99
		38 8M 30	6F	FL070	38	96,77	95,39	102,0	75,0	-	38	48	15	2,27
		40 8M 30	6F	FL077	40	101,86	100,49	106,0	75,0	-	38	48	15	2,40
		44 8M 30	6F	FL075	44	112,05	110,67	120,0	75,0	-	38	48	15	2,80
		48 8M 30	6F	FL078	48	122,23	120,86	128,0	75,0	-	38	48	15	3,20
		56 8M 30	6WF	FL085	56	142,60	141,23	150,0	90,0	116	38	48	15	3,60
		64 8M 30	6WF	FL090	64	162,97	161,60	168,0	90,0	137	38	48	15	4,30
		72 8M 30	6WF	FL097	72	183,35	181,97	192,0	95,0	158	38	48	15	4,80
Ghisa / Cast iron Grauguss / Fonte Hierro fundido	senza flangia / without flanges / ohne Flanschen sans flasques / sin tapetas	80 8M 30	6W	-	80	203,72	202,35	-	100,0	180	38	48	15	5,10
		90 8M 30	6A	-	90	229,18	227,81	-	100,0	204	38	48	15	5,70
		112 8M 30	6A	-	112	285,21	283,83	-	100,0	254	38	48	18	6,80
		144 8M 30	6A	-	144	366,69	365,32	-	100,0	336	38	48	20	9,30
		168 8M 30	6A	-	168	427,81	426,44	-	100,0	400	38	48	20	11,40
		192 8M 30	6A	-	192	488,92	487,55	-	100,0	460	38	48	20	16,00

PULEGGE DENTATE PER CINGHIE CON PROFILO HTD TIMING BELT PULLEYS HTD PROFILE

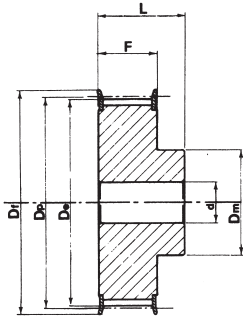
HTD Profile 8M-50

Caratteristiche Features Merkmale Características Características	Descrizione Description Beschreibung Description Descripción	Tipo Type Typ Type Tipo	Codice flangia Flange code Bordscheiben Typ Code flasque Código brida	N. denti N. of teeth / Zähnezahl N. bre de dents Cantidad de dientes	Dp	De	Df	Dm	Di	F	L	d	Peso Weight / Gewicht Poids / Peso Kg	
Acciaio / Steel / Stahl Acier / Acero	con flangia / with flanges mit Flanges / avec flasques con tapetas	22 8M 50	6F	FL053	22	56,02	54,65	60,0	43,0	-	60	70	12	1,00
		24 8M 50	6F	FL069	24	61,12	59,75	66,0	45,0	-	60	70	12	1,23
		26 8M 50	6F	FL061	26	66,21	64,84	70,0	48,0	-	60	70	15	1,50
		28 8M 50	6F	FL079	28	71,30	69,93	75,0	50,0	-	60	70	15	1,67
		30 8M 50	6F	FL073	30	76,39	75,02	83,0	55,0	-	60	70	15	1,97
		32 8M 50	6F	FL076	32	81,49	80,16	87,0	60,0	-	60	70	15	2,27
		34 8M 50	6F	FL066	34	86,58	85,22	91,0	70,0	-	60	70	15	2,69
		36 8M 50	6F	FL068	36	91,67	90,30	97,0	75,0	-	60	70	15	2,97
		38 8M 50	6F	FL070	38	96,77	95,39	102,0	75,0	-	60	70	15	3,23
		40 8M 50	6F	FL077	40	101,86	100,49	106,0	75,0	-	60	70	18	3,50
		44 8M 50	6F	FL075	44	112,05	110,67	120,0	75,0	-	60	70	18	3,90
		48 8M 50	6F	FL078	48	122,23	120,86	128,0	75,0	-	60	70	18	4,30
		56 8M 50	10WF	FL085	56	142,60	141,23	150,0	80,0	116	60	60	18	5,00
		64 8M 50	10WF	FL090	64	162,97	161,60	168,0	80,0	137	60	60	18	5,60
		72 8M 50	10WF	FL097	72	183,35	181,97	192,0	80,0	158	60	60	18	6,80
Ghisa / Cast iron Grauguss / Fonte Hierro fundido	senza flangia / without flanges / ohne Flanschen sans flasques / sin tapetas	80 8M 50	10W	-	80	203,72	202,35	-	110,0	180	60	60	18	6,90
		90 8M 50	10A	-	90	229,18	227,81	-	110,0	204	60	60	18	8,60
		112 8M 50	10A	-	112	285,21	283,83	-	110,0	254	60	60	18	9,60
		144 8M 50	10A	-	144	366,69	365,32	-	110,0	336	60	60	20	13,80
		168 8M 50	10A	-	168	427,81	426,44	-	120,0	400	60	60	20	16,00
		192 8M 50	10A	-	192	488,92	487,55	-	130,0	460	60	60	20	22,40

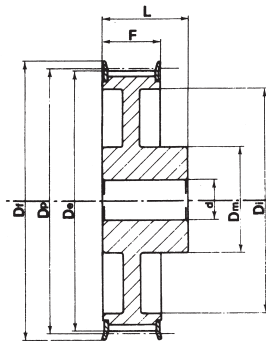
HTD Profile 8M-85

Caratteristiche Features Merkmale Características Características	Descrizione Description Beschreibung Description Descripción	Tipo Type Typ Type Tipo	Codice flangia Flange code Bordscheiben Typ Code flasque Código brida	N. denti N. of teeth / Zähnezahl N. bre de dents Cantidad de dientes	Dp	De	Df	Dm	Di	F	L	d	Peso Weight / Gewicht Poids / Peso Kg	
Acciaio / Steel / Stahl Acier / Acero	con flangia / with flanges mit Flanges / avec flasques con tapetas	22 8M 85	6F	FL053	22	56,02	54,65	60,0	43,0	-	95	105	12	1,55
		24 8M 85	6F	FL069	24	61,12	59,75	66,0	45,0	-	95	105	12	1,90
		26 8M 85	6F	FL061	26	66,21	64,84	70,0	48,0	-	95	105	12	2,25
		28 8M 85	6F	FL079	28	71,30	69,93	75,0	50,0	-	95	105	15	2,55
		30 8M 85	6F	FL073	30	76,39	75,02	83,0	55,0	-	95	105	15	3,00
		32 8M 85	6F	FL076	32	81,49	80,16	87,0	60,0	-	95	105	15	3,57
		34 8M 85	6F	FL066	34	86,58	85,22	91,0	66,0	-	95	105	15	4,00
		36 8M 85	6F	FL068	36	91,67	90,30	97,0	70,0	-	95	105	15	4,50
		38 8M 85	6F	FL070	38	96,77	95,39	102,0	75,0	-	95	105	15	5,00
		40 8M 85	6F	FL077	40	101,86	100,49	106,0	75,0	-	95	105	18	5,20
		44 8M 85	6F	FL075	44	112,05	110,67	120,0	75,0	-	95	105	18	6,60
		48 8M 85	6F	FL078	48	122,23	120,86	128,0	80,0	-	95	105	18	7,00
		56 8M 85	6F	FL085	56	142,60	141,23	150,0	90,0	-	95	105	18	10,00
		64 8M 85	10WF	FL090	64	162,97	161,60	168,0	100,0	137	95	95	20	10,40
		72 8M 85	10WF	FL097	72	183,35	181,97	192,0	100,0	158	95	95	20	11,40
Ghisa / Cast iron Grauguss / Fonte Hierro fundido	senza flangia / without flanges / ohne Flanschen sans flasques / sin tapetas	80 8M 85	10W	-	80	203,72	202,35	-	110,0	180	95	95	20	11,10
		90 8M 85	10A	-	90	229,18	227,81	-	110,0	204	95	95	20	12,20
		112 8M 85	10A	-	112	285,21	283,83	-	110,0	254	95	95	24	15,00
		144 8M 85	10A	-	144	366,69	365,32	-	110,0	336	95	95	24	21,50
		168 8M 85	10A	-	168	427,81	426,44	-	120,0	400	95	95	24	24,10
		192 8M 85	10A	-	192	488,92	487,55	-	130,0	460	95	95	24	30,60

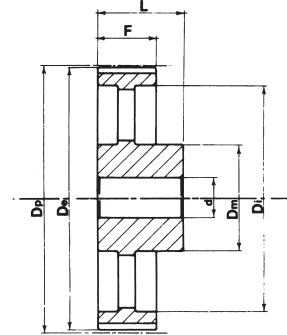
PULEGGE DENTATE PER CINGHIE CON PROFILO HTD TIMING BELT PULLEYS HTD PROFILE



**Tipo / Type
6F**



**Tipo / Type
6WF**



**Tipo / Type
6A**

HTD Profile 14M-40

Caratteristiche Features Merkmale Características Características	Descrizione Description Beschreibung Description Descripción	Tipo Type Typ Type Tipo	Codice flangia Flange code Bordscheiben Typ Code flasque Código brida	N. denti N. of teeth / Zähnezahl N. bre de dents Cantidad de dientes	Dp	De	Df	Dm	Di	F	L	d	Peso Weight / Gewicht Poids / Peso Kg	
Acciaio / Steel / Stahl Acier / Acero	con flangia / with flanges mit Flanges / avec flasques con tapetas	28 14M 40	6F	FL153	28	124,78	122,12	128,0	100,0	-	54	69	24	4,73
		29 14M 40	6F	FL154	29	129,23	126,57	138,0	100,0	-	54	69	24	5,09
		30 14M 40	6F	FL154	30	133,69	130,99	138,0	100,0	-	54	69	24	5,45
		32 14M 40	6F	FL160	32	142,60	139,88	154,0	100,0	-	54	69	24	6,17
		34 14M 40	6F	FL166	34	151,52	148,79	160,0	100,0	-	54	69	24	6,88
		36 14M 40	6F	FL168	36	160,43	157,68	168,0	100,0	-	54	69	24	7,60
		38 14M 40	6F	FL172	38	169,34	166,60	183,0	120,0	-	54	69	24	8,28
		40 14M 40	6F	FL162	40	178,25	175,49	188,0	120,0	-	54	69	24	9,26
		44 14M 40	6F	FL175	44	196,08	193,28	211,0	120,0	-	54	69	24	10,32
Ghisa / Cast iron Grauguss / Fonte Hierro fundido	senza flangia / without flanges / ohne Flanschen sans flasques / sin tapetas	48 14M 40	6WF	FL180	48	213,90	211,11	226,0	135,0	170	54	69	24	11,50
		56 14M 40	6WF	FL182	56	249,55	246,76	256,0	135,0	207	54	69	28	13,05
		64 14M 40	6WF	FL184	64	285,21	282,41	296,0	135,0	240	54	69	28	14,40
		72 14M 40	6A	-	72	320,86	318,06	-	135,0	280	54	69	28	16,90
		80 14M 40	6A	-	80	356,51	353,71	-	135,0	314	54	69	28	18,50
		90 14M 40	6A	-	90	401,07	398,28	-	135,0	358	54	69	28	20,00
		112 14M 40	6A	-	112	499,11	496,32	-	135,0	456	54	69	28	26,70
		144 14M 40	6A	-	144	641,71	638,92	-	135,0	600	54	69	28	35,00
		168 14M 40	6A	-	168	748,66	745,87	-	135,0	706	54	69	28	44,20
		192 14M 40	6A	-	192	855,62	852,82	-	135,0	813	54	69	28	52,20
216 14M 40	6A	-	216	962,57	959,76	-	150,0	920	54	69	28	62,50		

PULEGGE DENTATE PER CINGHIE CON PROFILO HTD TIMING BELT PULLEYS HTD PROFILE

HTD Profile 14M-55

Caratteristiche Features Merkmale Características Características	Descrizione Description Beschreibung Description Descripción	Tipo Type Typ Type Tipo	Codice flangia Flange code Bordscheiben Typ Code flasque Código brida	N. denti N. of teeth / Zähnezahl N. bre de dents Cantidad de dientes	Dp	De	Df	Dm	Di	F	L	d	Peso Weight / Gewicht Poids / Peso Kg	
Acciaio / Steel / Stahl Acier / Acero	con flangia / with flanges mit Flanges / avec flasques con tapetas	28 14M 55	6F	FL153	28	124,78	122,12	128,0	100,0	-	70	85	24	5,60
		29 14M 55	6F	FL154	29	129,23	126,57	138,0	100,0	-	70	85	24	6,10
		30 14M 55	6F	FL154	30	133,69	130,99	138,0	100,0	-	70	85	24	6,60
		32 14M 55	6F	FL160	32	142,60	139,88	154,0	100,0	-	70	85	24	7,60
		34 14M 55	6F	FL166	34	151,52	148,79	160,0	100,0	-	70	85	24	8,60
		36 14M 55	6F	FL168	36	160,43	157,68	168,0	100,0	-	70	85	24	9,60
		38 14M 55	6F	FL172	38	169,34	166,60	183,0	120,0	-	70	85	24	10,80
		40 14M 55	6F	FL162	40	178,25	175,49	188,0	120,0	-	70	85	24	11,20
		44 14M 55	6F	FL175	44	196,08	193,28	211,0	120,0	-	70	85	24	12,50
Ghisa / Cast iron Grauguss / Fonte Hierro fundido	senza flangia / without flanges / ohne Flanschen sans flasques / sin tapetas	48 14M 55	10WF	FL180	48	213,90	211,11	226,0	135,0	170	70	70	24	13,70
		56 14M 55	10WF	FL182	56	249,55	246,76	256,0	135,0	207	70	70	28	14,50
		64 14M 55	10WF	FL184	64	285,21	282,41	296,0	135,0	240	70	70	28	15,60
		72 14M 55	10A	-	72	320,86	318,06	-	135,0	280	70	70	28	16,90
		80 14M 55	10A	-	80	356,51	353,71	-	135,0	314	70	70	28	20,00
		90 14M 55	10A	-	90	401,07	398,28	-	135,0	358	70	70	28	22,60
		112 14M 55	10A	-	112	499,11	496,32	-	135,0	456	70	70	28	29,50
		144 14M 55	10A	-	144	641,71	638,92	-	135,0	600	70	70	28	39,00
		168 14M 55	10A	-	168	748,66	745,87	-	135,0	706	70	70	28	48,50
		192 14M 55	10A	-	192	855,62	852,82	-	135,0	813	70	70	28	57,80
216 14M 55	10A	-	216	962,57	959,76	-	150,0	920	70	70	28	67,00		

HTD Profile 14M-85

Caratteristiche Features Merkmale Características Características	Descrizione Description Beschreibung Description Descripción	Tipo Type Typ Type Tipo	Codice flangia Flange code Bordscheiben Typ Code flasque Código brida	N. denti N. of teeth / Zähnezahl N. bre de dents Cantidad de dientes	Dp	De	Df	Dm	Di	F	L	d	Peso Weight / Gewicht Poids / Peso Kg	
Acciaio / Steel / Stahl Acier / Acero	con flangia / with flanges mit Flanges / avec flasques con tapetas	28 14M 85	6F	FL153	28	124,78	122,12	128,0	100,0	-	102	117	24	7,70
		29 14M 85	6F	FL154	29	129,23	126,57	138,0	100,0	-	102	117	24	8,40
		30 14M 85	6F	FL154	30	133,69	130,99	138,0	100,0	-	102	117	24	9,10
		32 14M 85	6F	FL160	32	142,60	139,88	154,0	100,0	-	102	117	24	10,50
		34 14M 85	6F	FL166	34	151,52	148,79	160,0	100,0	-	102	117	24	11,90
		36 14M 85	6F	FL168	36	160,43	157,68	168,0	100,0	-	102	117	32	13,20
		38 14M 85	6F	FL172	38	169,34	166,60	183,0	120,0	-	102	117	32	15,15
		40 14M 85	6F	FL162	40	178,25	175,49	188,0	135,0	-	102	117	32	17,10
		44 14M 85	6F	FL175	44	196,08	193,28	211,0	135,0	-	102	117	32	23,30
Ghisa / Cast iron Grauguss / Fonte Hierro fundido	senza flangia / without flanges / ohne Flanschen sans flasques / sin tapetas	48 14M 85	6F	FL180	48	213,90	211,11	226,0	150,0	-	102	117	32	25,00
		56 14M 85	10WF	FL182	56	249,55	246,76	256,0	150,0	207	102	102	32	25,00
		64 14M 85	10WF	FL184	64	285,21	282,41	296,0	150,0	240	102	102	32	30,50
		72 14M 85	10A	-	72	320,86	318,06	-	150,0	278	102	102	32	28,80
		80 14M 85	10A	-	80	356,51	353,71	-	150,0	314	102	102	32	30,10
		90 14M 85	10A	-	90	401,07	398,28	-	150,0	358	102	102	32	33,00
		112 14M 85	10A	-	112	499,11	496,32	-	150,0	456	102	102	32	41,80
		144 14M 85	10A	-	144	641,71	638,92	-	150,0	600	102	102	32	52,40
		168 14M 85	10A	-	168	748,66	745,87	-	150,0	706	102	102	32	60,30
		192 14M 85	10A	-	192	855,62	852,82	-	165,0	813	102	102	32	70,20
216 14M 85	10A	-	216	962,57	959,76	-	160,0	920	102	102	32	81,00		

PULEGGE DENTATE PER CINGHIE CON PROFILO HTD TIMING BELT PULLEYS HTD PROFILE

HTD Profile 14M-115

Caratteristiche Features Merkmal Características Características	Descrizione Description Beschreibung Description Descripción	Tipo Type Typ Type Tipo	Codice flangia Flange code Bordscheiben Typ Code flasque Código brida	N. denti N. of teeth / Zähnezahl N. bre de dents Cantidad de dientes	Dp	De	Df	Dm	Di	F	L	d	Peso Weight / Gewicht Poids / Peso Kg	
Acciaio / Steel / Stahl Acier / Acero	con flangia / with flanges mit Flanges / avec flasques con tapetas	28 14M 115	6F	FL153	28	124,78	122,12	128,0	100,0	-	133	148	32	9,20
		29 14M 115	6F	FL154	29	129,23	126,57	138,0	100,0	-	133	148	32	10,20
		30 14M 115	6F	FL154	30	133,69	130,99	138,0	100,0	-	133	148	32	11,20
		32 14M 115	6F	FL160	32	142,60	139,88	154,0	100,0	-	133	148	32	13,20
		34 14M 115	6F	FL166	34	151,52	148,79	160,0	100,0	-	133	148	32	14,80
		36 14M 115	6F	FL168	36	160,43	157,68	168,0	100,0	-	133	148	32	16,60
		38 14M 115	6F	FL172	38	169,34	166,60	183,0	120,0	-	133	148	32	19,20
		40 14M 115	6F	FL162	40	178,25	175,49	188,0	135,0	-	133	148	32	20,56
		44 14M 115	6F	FL175	44	196,08	193,28	211,0	140,0	-	133	148	32	21,93
		48 14M 115	6F	FL180	48	213,90	211,11	226,0	150,0	-	133	148	32	25,00
		56 14M 115	6F	FL182	56	249,55	246,76	256,0	150,0	-	133	148	32	27,50
Ghisa / Cast iron Grauguss / Fonte Hierro fundido	senza flangia / without flanges / ohne Flanschen sans flasques / sin tapetas	64 14M 115	10WF	FL184	64	285,21	282,41	296,0	150,0	240	133	133	32	30,10
		72 14M 115	10A	-	72	320,86	318,06	-	150,0	278	133	133	32	32,83
		80 14M 115	10A	-	80	356,51	353,71	-	150,0	314	133	133	32	35,55
		90 14M 115	10A	-	90	401,07	398,28	-	150,0	358	133	133	32	41,00
		112 14M 115	10A	-	112	499,11	496,32	-	150,0	456	133	133	32	54,40
		144 14M 115	10A	-	144	641,71	638,92	-	165,0	600	133	133	32	67,80
		168 14M 115	10A	-	168	748,66	745,87	-	165,0	706	133	133	32	75,80
		192 14M 115	10A	-	192	855,62	852,82	-	165,0	813	133	133	32	88,30
		216 14M 115	10A	-	216	962,57	959,76	-	165,0	920	133	133	32	98,00

HTD Profile 14M-170

Caratteristiche Features Merkmal Características Características	Descrizione Description Beschreibung Description Descripción	Tipo Type Typ Type Tipo	Codice flangia Flange code Bordscheiben Typ Code flasque Código brida	N. denti N. of teeth / Zähnezahl N. bre de dents Cantidad de dientes	Dp	De	Df	Dm	Di	F	L	d	Peso Weight / Gewicht Poids / Peso Kg	
Acciaio / Steel / Stahl Acier / Acero	con flangia / with flanges mit Flanges / avec flasques con tapetas	28 14M 170	6F	FL153	28	124,78	122,12	128,0	100,0	-	187	202	32	9,20
		29 14M 170	6F	FL154	29	129,23	126,57	138,0	100,0	-	187	202	32	10,20
		30 14M 170	6F	FL154	30	133,69	130,99	138,0	100,0	-	187	202	32	11,20
		32 14M 170	6F	FL160	32	142,60	139,88	154,0	100,0	-	187	202	32	13,20
		34 14M 170	6F	FL166	34	151,52	148,79	160,0	100,0	-	187	202	32	14,80
		36 14M 170	6F	FL168	36	160,43	157,68	168,0	100,0	-	187	202	32	16,60
		38 14M 170	6F	FL172	38	169,34	166,60	183,0	120,0	-	187	202	32	19,20
		40 14M 170	6F	FL162	40	178,25	175,49	188,0	135,0	-	187	202	32	20,56
		44 14M 170	6F	FL175	44	196,08	193,28	211,0	140,0	-	187	202	32	21,93
		48 14M 170	6F	FL180	48	213,90	211,11	226,0	150,0	-	187	202	32	25,00
		56 14M 170	6F	FL182	56	249,55	246,76	256,0	150,0	-	187	202	32	27,50
Ghisa / Cast iron Grauguss / Fonte Hierro fundido	senza flangia / without flanges / ohne Flanschen sans flasques / sin tapetas	64 14M 170	10WF	FL184	64	285,21	282,41	296,0	150,0	240	187	187	32	30,10
		72 14M 170	10A	-	72	320,86	318,06	-	150,0	278	187	187	32	32,83
		80 14M 170	10A	-	80	356,51	353,71	-	150,0	314	187	187	32	35,55
		90 14M 170	10A	-	90	401,07	398,28	-	150,0	358	187	187	32	41,00
		112 14M 170	10A	-	112	499,11	496,32	-	150,0	456	187	187	32	54,40
		144 14M 170	10A	-	144	641,71	638,92	-	165,0	600	187	187	32	67,80
		168 14M 170	10A	-	168	748,66	745,87	-	165,0	706	187	187	32	75,80
		192 14M 170	10A	-	192	855,62	852,82	-	165,0	813	187	187	32	88,30
		216 14M 170	10A	-	216	962,57	959,76	-	165,0	920	187	187	32	98,00

BARRE DENTATE CON PROFILO HTD HTD PROFILE STANDARD TOOTHED BARS

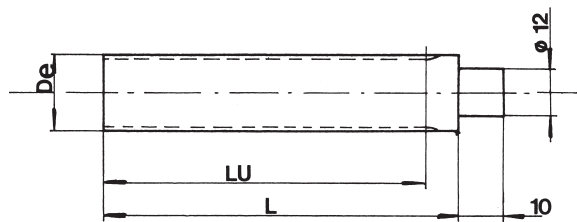
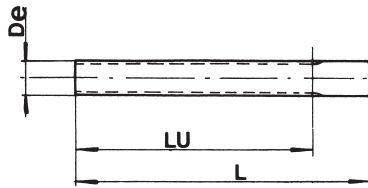
Materiale:
alluminio 6082 T6
UNI 9006/4 adatto al
trattamento anodico

Material:
aluminium 6082 T6
UNI 9006/4 suitable for
anodic treatment

Werkstoff:
aluminium 6082 T6
UNI 9006/4 geeignet für
anodischen oxydation

Matière:
aluminium 6082 T6
UNI 9006/4 apte au
traitement anodique

Material:
aluminio 6082 T6
UNI 9006/4 apto para la
oxidación anodica



HTD Profile 3M

Descrizione Description Beschreibung Description Descripción	N. denti N. of teeth / Zähnezahl N. bre de dents Cantidad de dientes	Dp	De	Lu	L
9 3M	9	8,59	7,83	75	100
10 3M	10	9,55	8,79	75	100
11 3M	11	10,50	9,74	75	100
12 3M	12	11,46	10,70	100	125
13 3M	13	12,41	11,65	100	125
14 3M	14	13,37	12,61	100	125
15 3M	15	14,32	13,56	100	125
16 3M	16	15,28	14,52	125	155
17 3M	17	16,23	15,47	125	155
18 3M	18	17,19	16,43	125	155
19 3M	19	18,14	17,38	125	155
20 3M	20	19,10	18,34	150	165
21 3M	21	20,05	19,25	150	165
22 3M	22	21,01	20,25	150	165
23 3M	23	21,96	21,20	150	165
24 3M	24	22,92	22,16	150	165
25 3M	25	23,87	23,11	150	165
26 3M	26	24,83	24,07	150	165
27 3M	27	25,78	25,02	150	165
28 3M	28	26,74	25,98	150	165
29 3M	29	27,69	26,93	150	165
30 3M	30	28,65	27,89	175	183
31 3M	31	29,60	28,84	175	183
32 3M	32	30,56	29,80	175	183
33 3M	33	31,54	30,75	175	183
34 3M	34	32,47	31,71	175	183
35 3M	35	33,42	32,66	175	183
36 3M	36	34,38	33,62	200	200
37 3M	37	35,33	34,57	200	200
38 3M	38	36,29	35,53	200	200
39 3M	39	37,24	36,48	200	200
40 3M	40	38,20	37,44	200	200
42 3M	42	40,11	39,34	200	200
44 3M	44	42,02	41,26	200	200
45 3M	45	42,97	42,21	200	200
48 3M	48	45,84	45,08	200	200
50 3M	50	47,75	46,99	200	200
52 3M	52	49,66	48,90	200	200
54 3M	54	51,57	50,81	200	200
56 3M	56	53,48	52,72	200	200
60 3M	60	57,30	56,54	200	200
62 3M	62	59,21	58,45	200	200
64 3M	64	61,12	60,36	200	200
66 3M	66	63,03	62,27	200	200
68 3M	68	64,94	64,18	200	200
70 3M	70	66,85	66,09	200	200
72 3M	72	68,75	67,99	200	200

HTD Profile 5M

Descrizione Description Beschreibung Description Descripción	N. denti N. of teeth / Zähnezahl N. bre de dents Cantidad de dientes	Dp	De	Lu	L
12 - 5M	12	19,10	17,96	150	165
13 - 5M	13	20,69	19,55	150	165
14 - 5M	14	22,28	21,14	175	183
15 - 5M	15	23,87	22,73	175	183
16 - 5M	16	25,46	24,32	175	183
17 - 5M	17	27,06	25,92	175	183
18 - 5M	18	28,65	27,51	200	200
19 - 5M	19	30,24	29,10	200	200
20 - 5M	20	31,83	30,69	200	200
21 - 5M	21	33,42	32,28	200	200
22 - 5M	22	35,01	33,87	200	200
23 - 5M	23	36,61	35,47	200	200
24 - 5M	24	38,20	37,06	200	200
25 - 5M	25	39,79	38,65	200	200
26 - 5M	26	41,38	40,24	200	200
27 - 5M	27	42,97	41,83	200	200
28 - 5M	28	44,56	43,42	200	200
29 - 5M	29	46,15	45,01	200	200
30 - 5M	30	47,75	46,60	200	200
31 - 5M	31	49,34	48,20	200	200
32 - 5M	32	50,93	49,79	200	200
33 - 5M	33	52,52	51,38	200	200
34 - 5M	34	54,11	52,97	200	200
35 - 5M	35	55,70	54,56	200	200
36 - 5M	36	57,30	56,16	200	200
38 - 5M	38	60,48	59,34	200	200
40 - 5M	40	63,66	62,52	200	200
42 - 5M	42	66,85	65,71	200	200
44 - 5M	44	70,03	68,89	200	200
45 - 5M	45	71,62	70,48	200	200
46 - 5M	46	73,21	72,07	200	200
48 - 5M	48	76,39	75,25	200	200
50 - 5M	50	79,58	78,43	200	200
54 - 5M	54	85,94	84,80	200	200
60 - 5M	60	95,49	94,35	200	200
62 - 5M	62	98,68	97,54	200	200
72 - 5M	72	114,59	113,45	200	200